

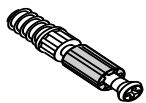
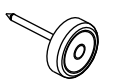

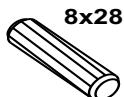


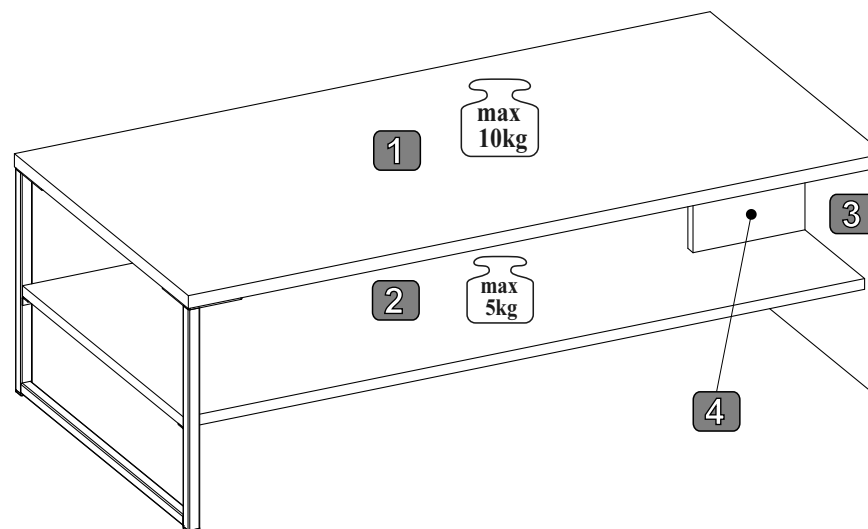
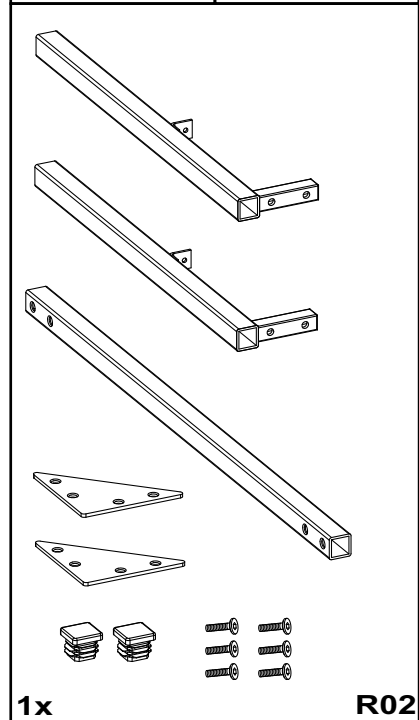
 15x12 6x T02	 4x16 10x W25	 Z3 1x K02
 6x T01	 2x S01	 Z4 1x K03
 8x28 6x D01	 Ø20 3x C01	 7x50 2x W15

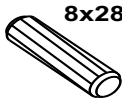
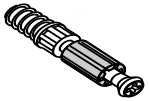
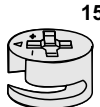
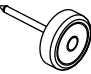
NR	DIM	QTE	COLLI
1	1200x600x22	1	1/1
2	1174x557x18	1	1/1
3	598x375x22	1	1/1
4	193x193x18	1	1/1

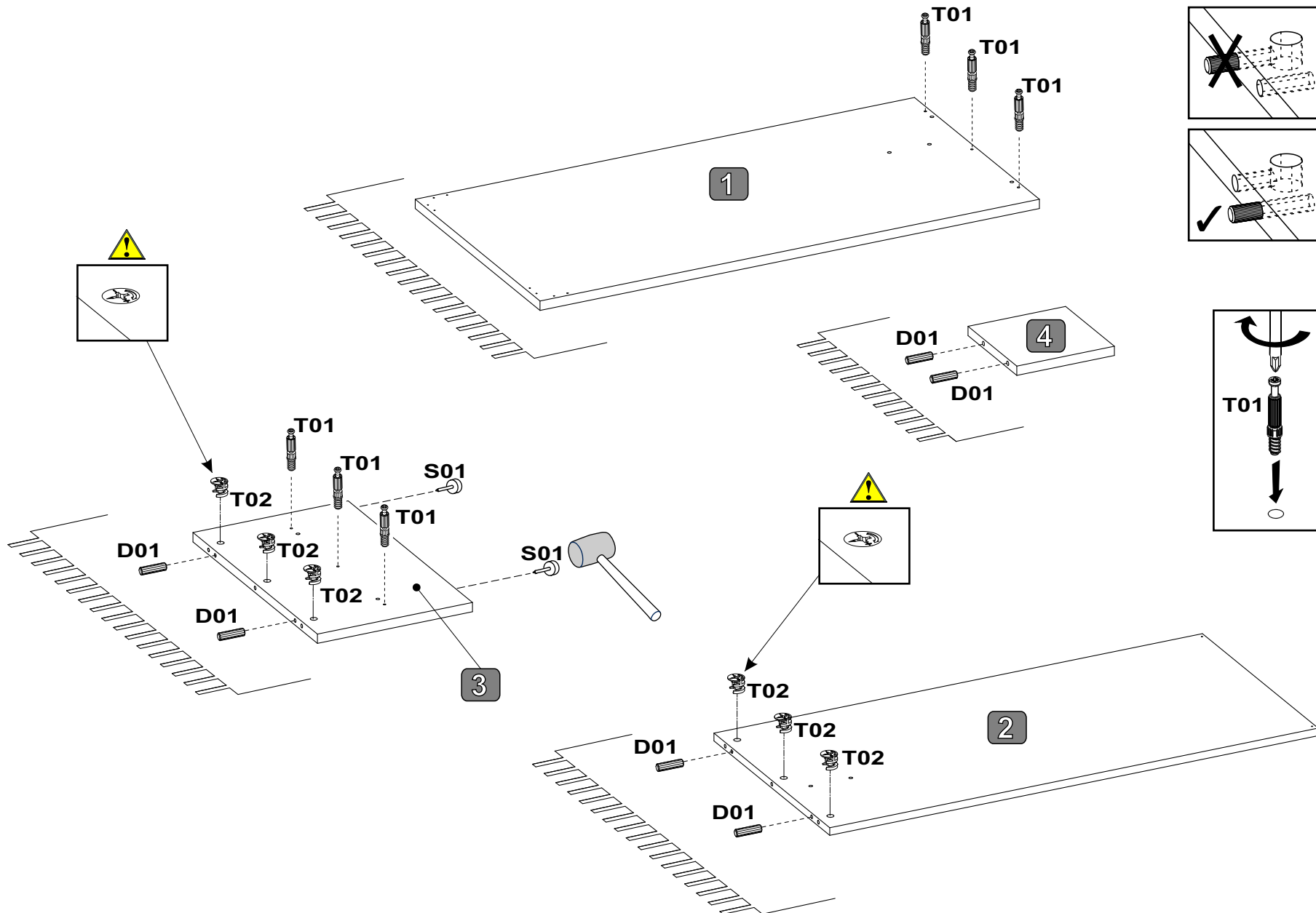
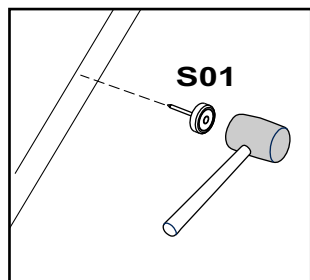
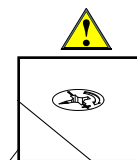
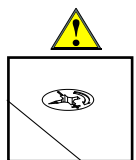
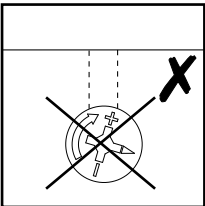
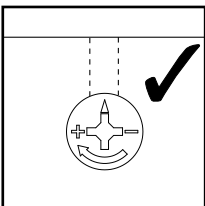
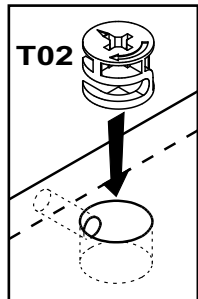
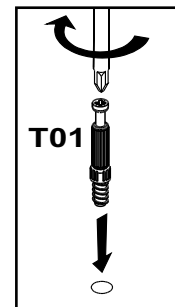
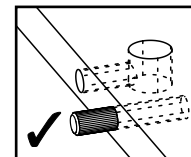
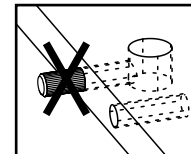
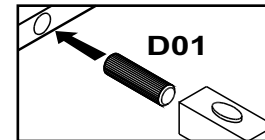


0 10 20 30 40 50 60 70 80 90 100 110 120 130 140 150 160 170 180 190 200

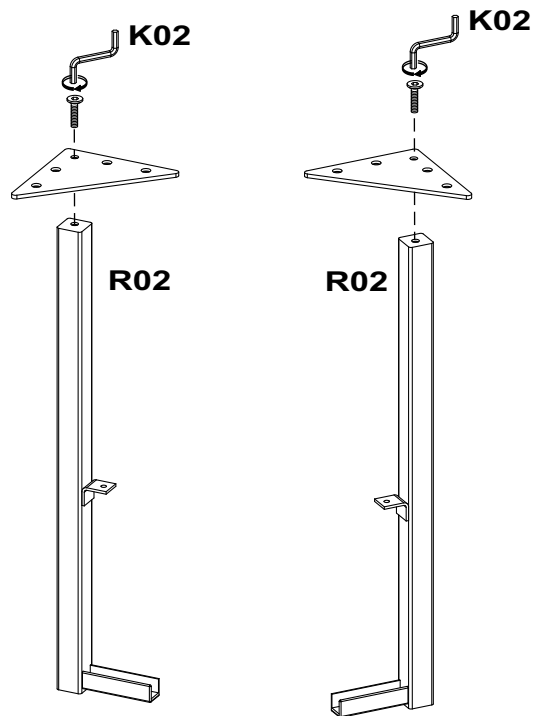
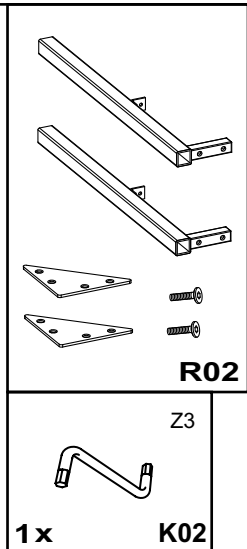


1

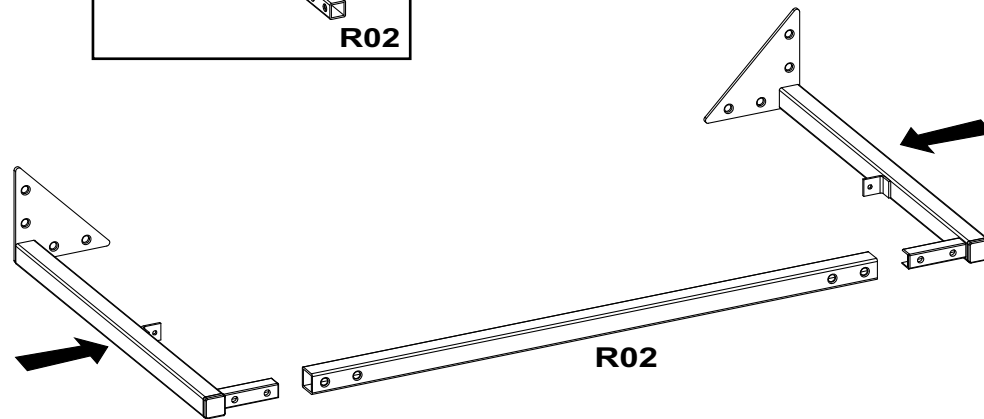
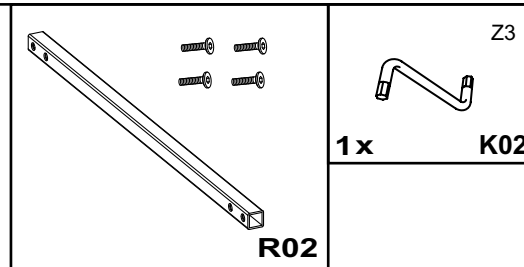
 8x28 6x D01	 T01 6x	 15x12 6x T02	 S01 2x
--	--	---	--



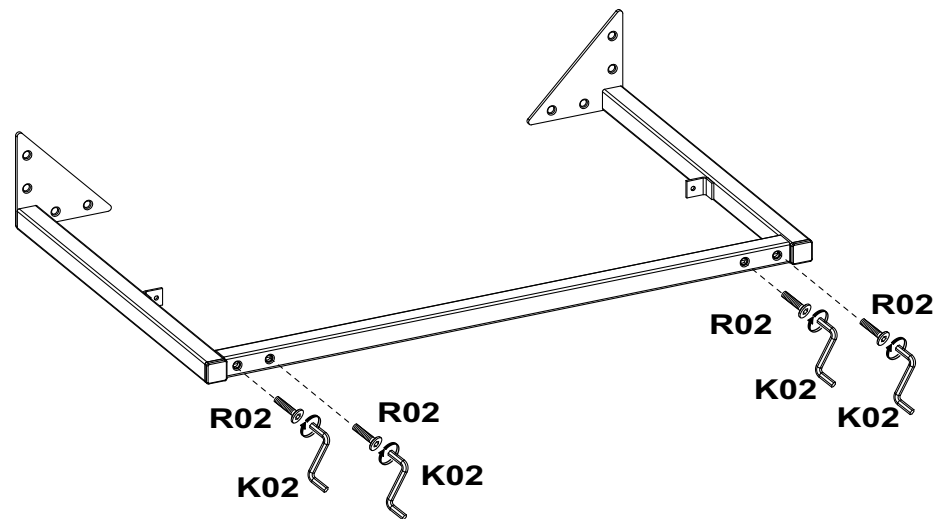
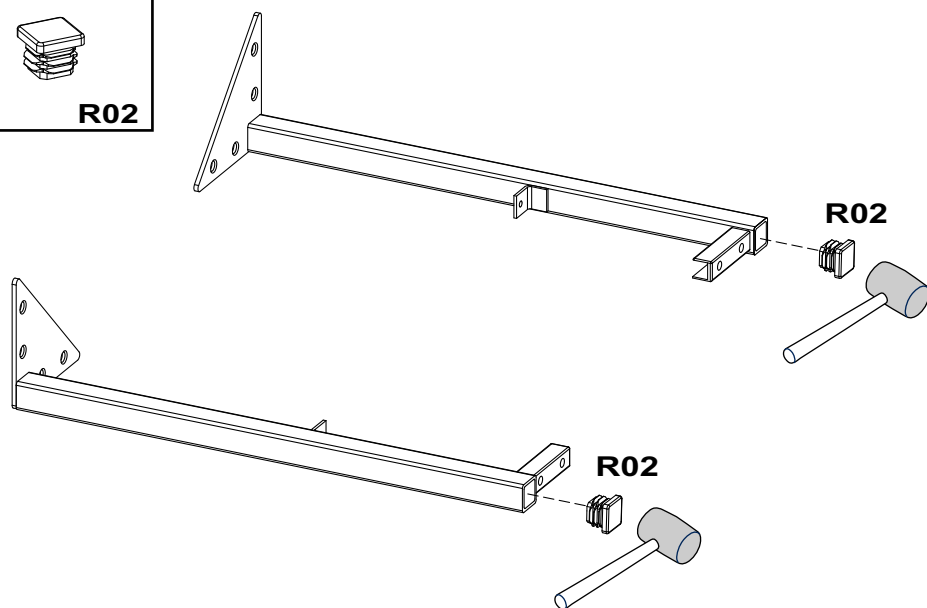
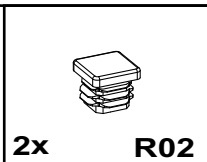
2



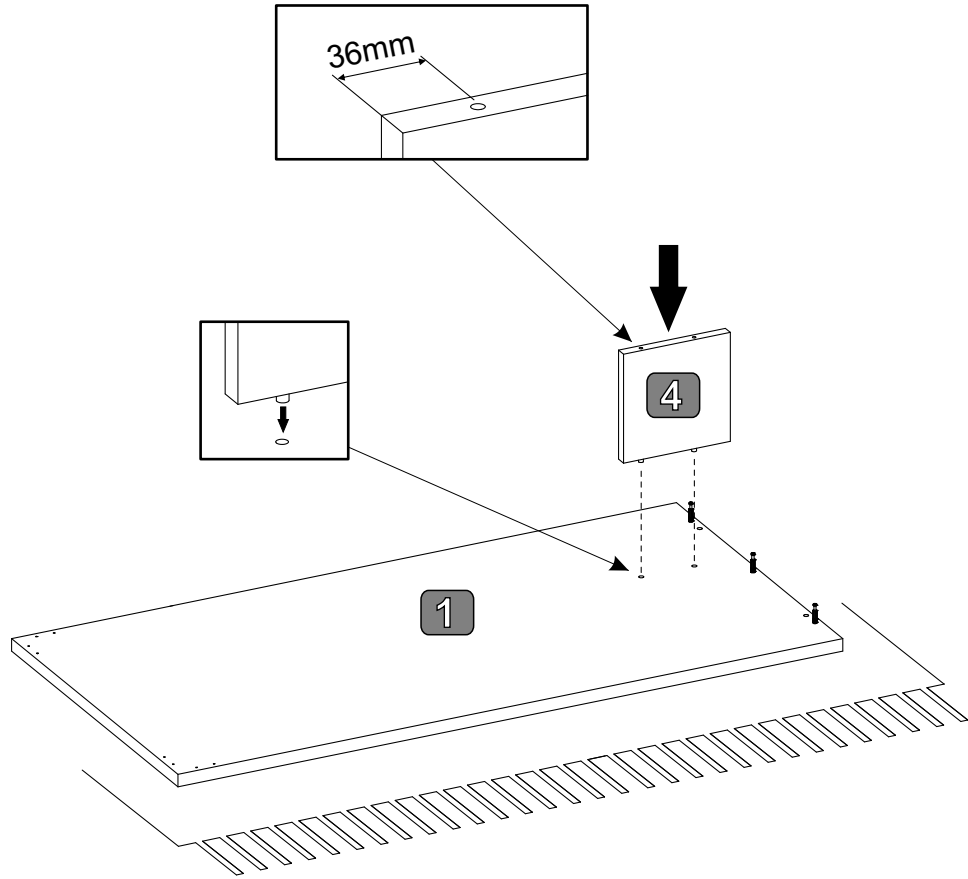
4





3

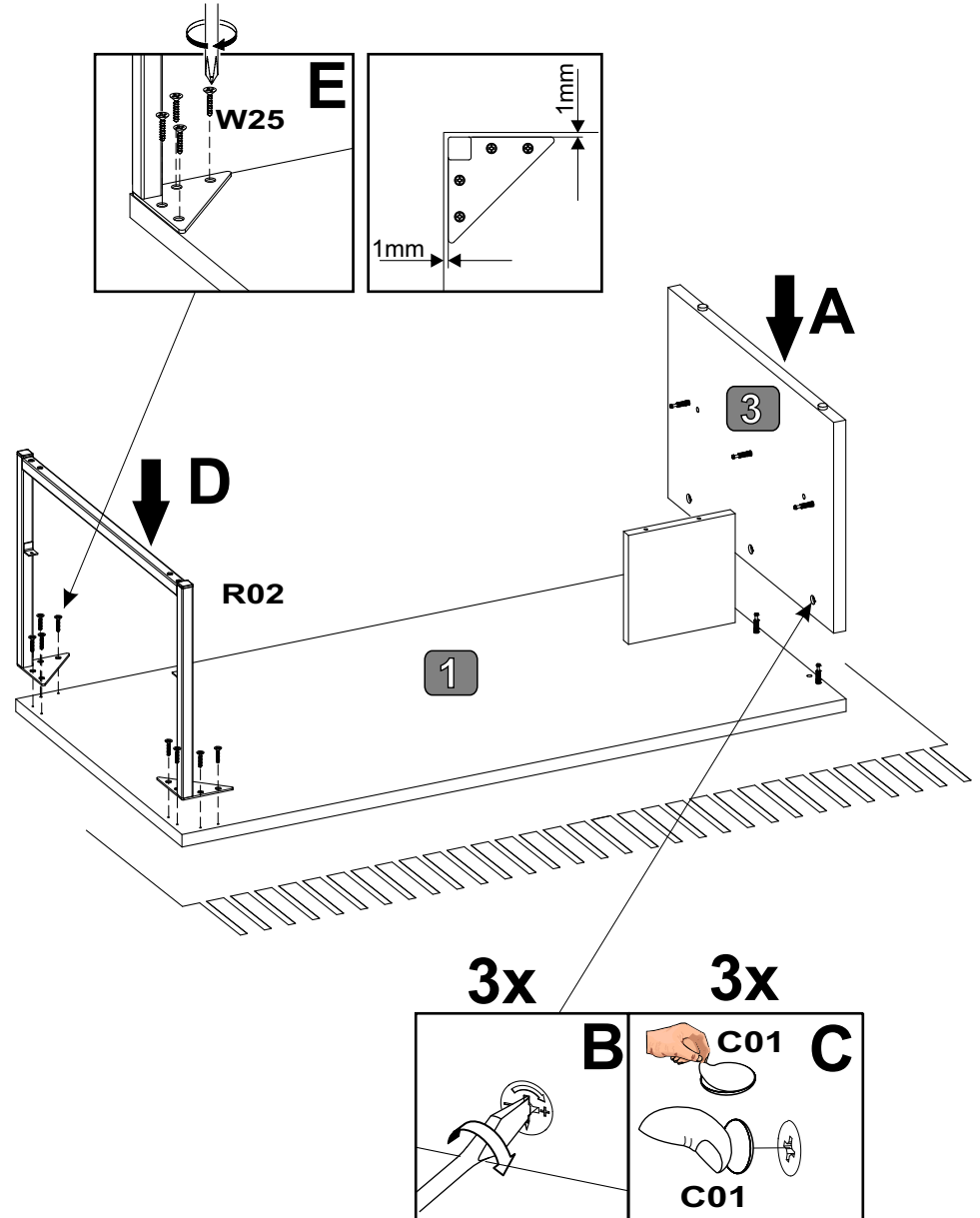


5

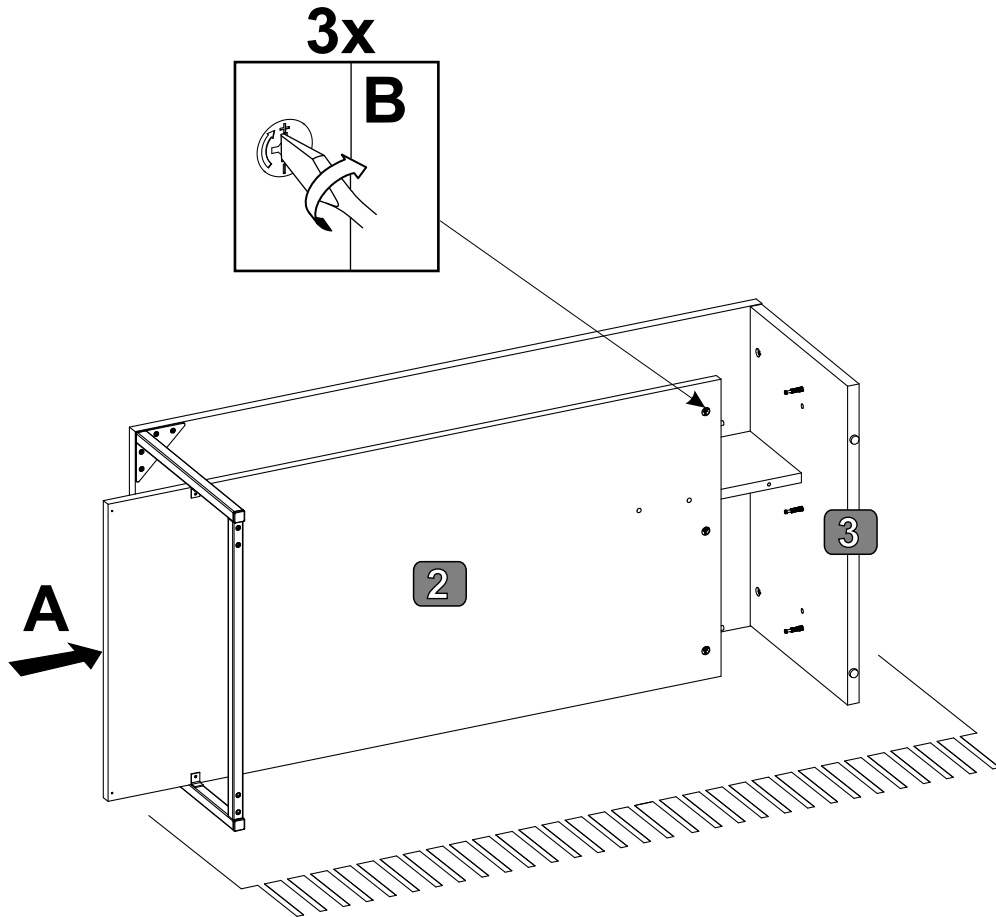


6

- |   |   |
|---|---|
| 4x16  | Ø20   |
|  |  |
| 8x W25  | 3x C01  |



7



8

 4x16 2x W25	 Z4 1x K03	 7x50 2x W15
--------------------	------------------	--------------------

